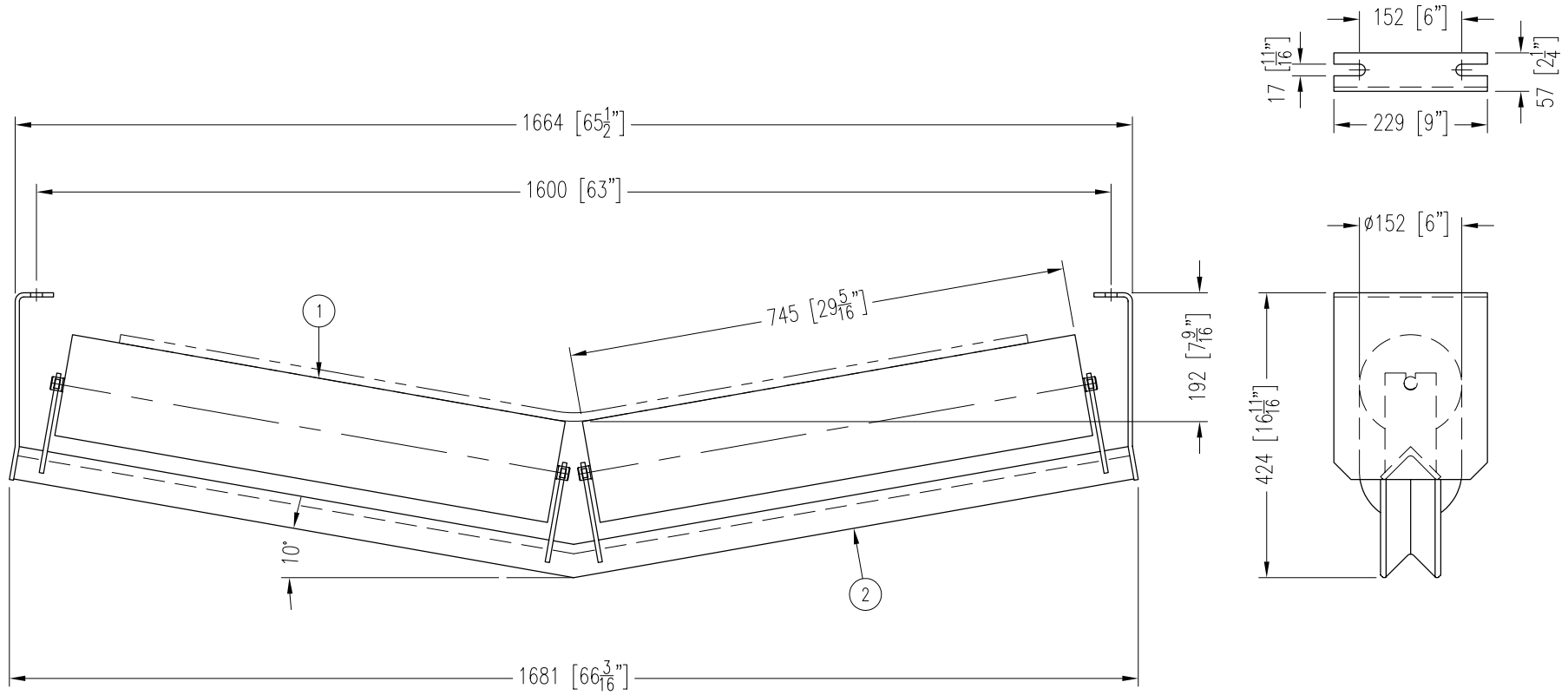


ITEM	DESCRIPTION	REMARKS	DWG/PART	LENGTH	QTY	WEIGHT
1	TROUGHING ROLL		BBTR620250745A5		2	78
2	10° V-RETURN IDLER FRAME	NB-480-149A	BBFR3051054		1	48
TOTAL WEIGHT / LBS						126



CONTINENTAL CONVEYOR
& MACHINE WORKS LTD.
CONVOYEUR CONTINENTAL
& USINAGE LTEE.

NAPANEE, ONTARIO, CANADA
THETFORD MINES, QUEBEC, CANADA

10° V-RETURN IDLER

54" BELT WIDTH 6" Ø ROLLS CEMA C6 DUTY

PART NO.

BB-30510-6-54

DRAWING NO.

REVISION

3

DATE

04 AUG 2006

JOB NO.

P.O. NO.