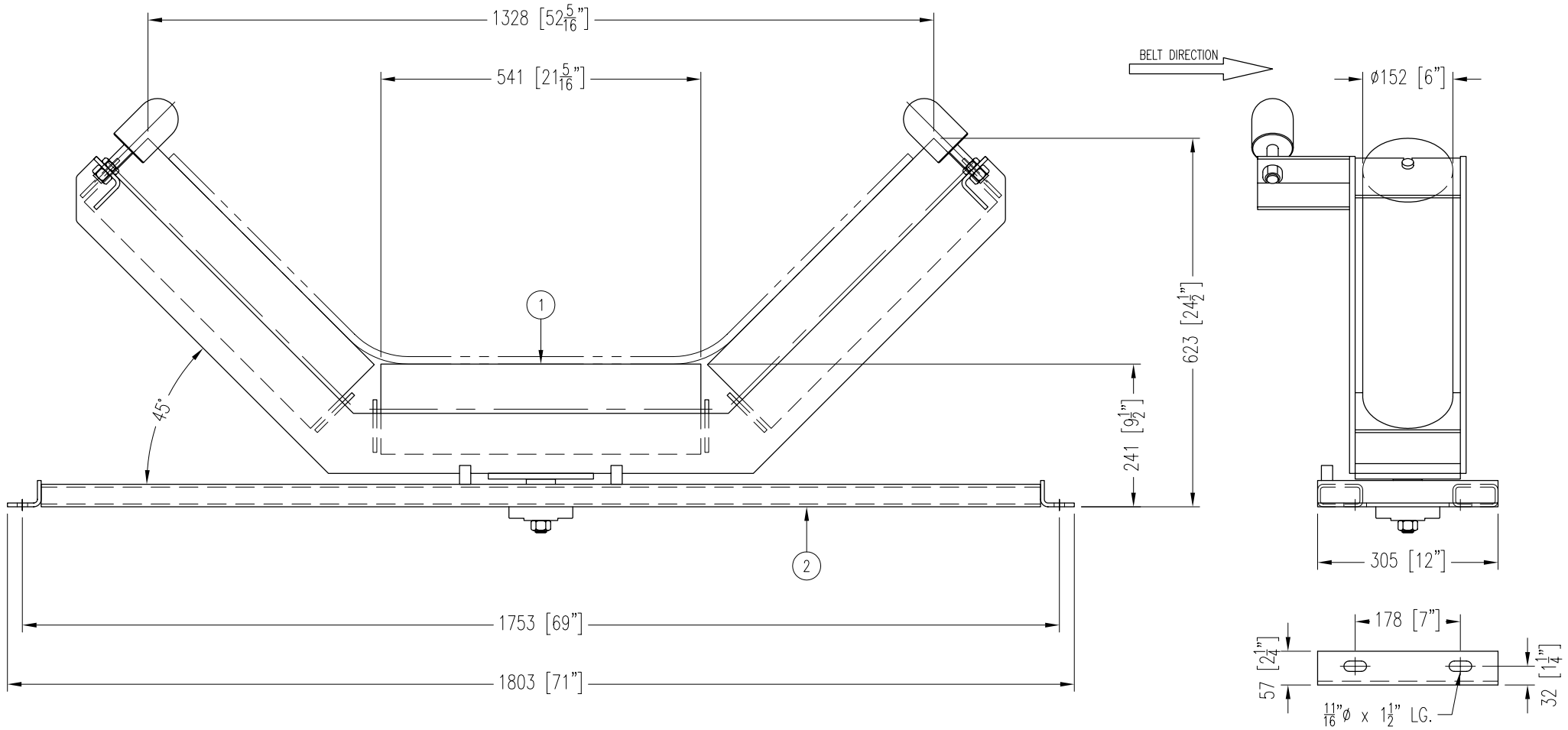


ITEM	DESCRIPTION	REMARKS	DWG/PART	LENGTH	QTY	WEIGHT
1	TROUGHING ROLL		BBTR620250541A5		3	87
2	45° TROUGHING TRAINING IDLER FRAME		BBFR3024560		1	160
	TOTAL WEIGHT / LBS					247



CONTINENTAL CONVEYOR
& MACHINE WORKS LTD.
CONVOYEUR CONTINENTAL
& USINAGE LTEE.

NAPANEE, ONTARIO, CANADA
THETFORD MINES, QUEBEC, CANADA

45° TROUGHING TRAINING IDLER

60" BELT WIDTH 6" ϕ ROLLS 20/25mm SHAFT CEMA C6 DUTY

PART NO.

BB-30245-6-60

DRAWING NO.

REVISION

3

DATE

04 AUG 2006

JOB NO.

P.O. NO.