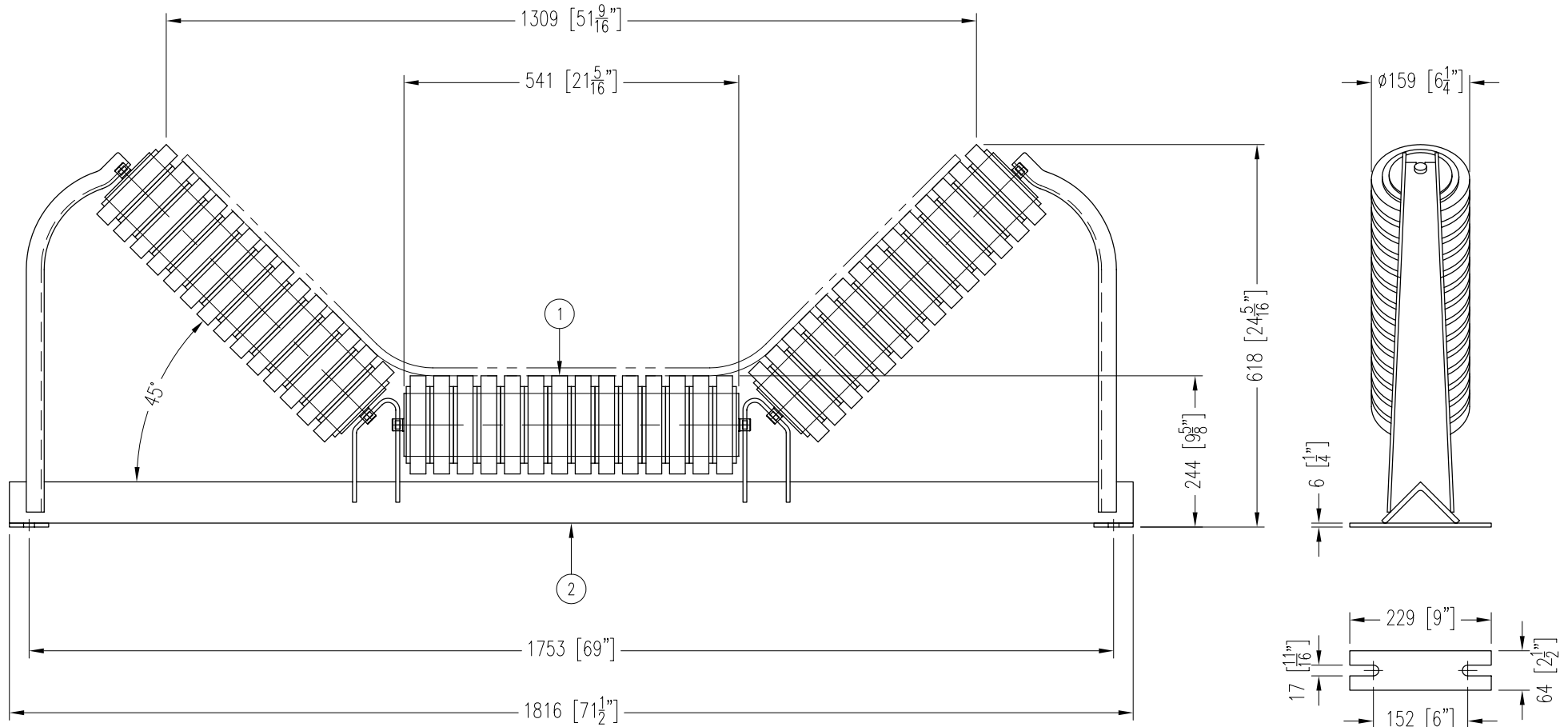


ITEM	DESCRIPTION	REMARKS	DWG/PART	LENGTH	QTY	WEIGHT
1	IMPACT ROLL		BBIR620250541A5		3	93
2	45° TROUGHING IDLER FRAME		BBFR3004560		1	55
TOTAL WEIGHT / LBS						148



CONTINENTAL CONVEYOR
& MACHINE WORKS LTD.
CONVOYEUR CONTINENTAL
& USINAGE LTEE.

NAPANEE, ONTARIO, CANADA
THETFORD MINES, QUEBEC, CANADA

45° IMPACT TROUGHING IDLER

60" BELT WIDTH 6-1/4" Ø ROLLS 20/25mm SHAFT CEMA C6 DUTY

PART NO.

BB-33045-6-60

DRAWING NO.

REVISION

3

DATE

04 AUG 2006

JOB NO.

P.O. NO.