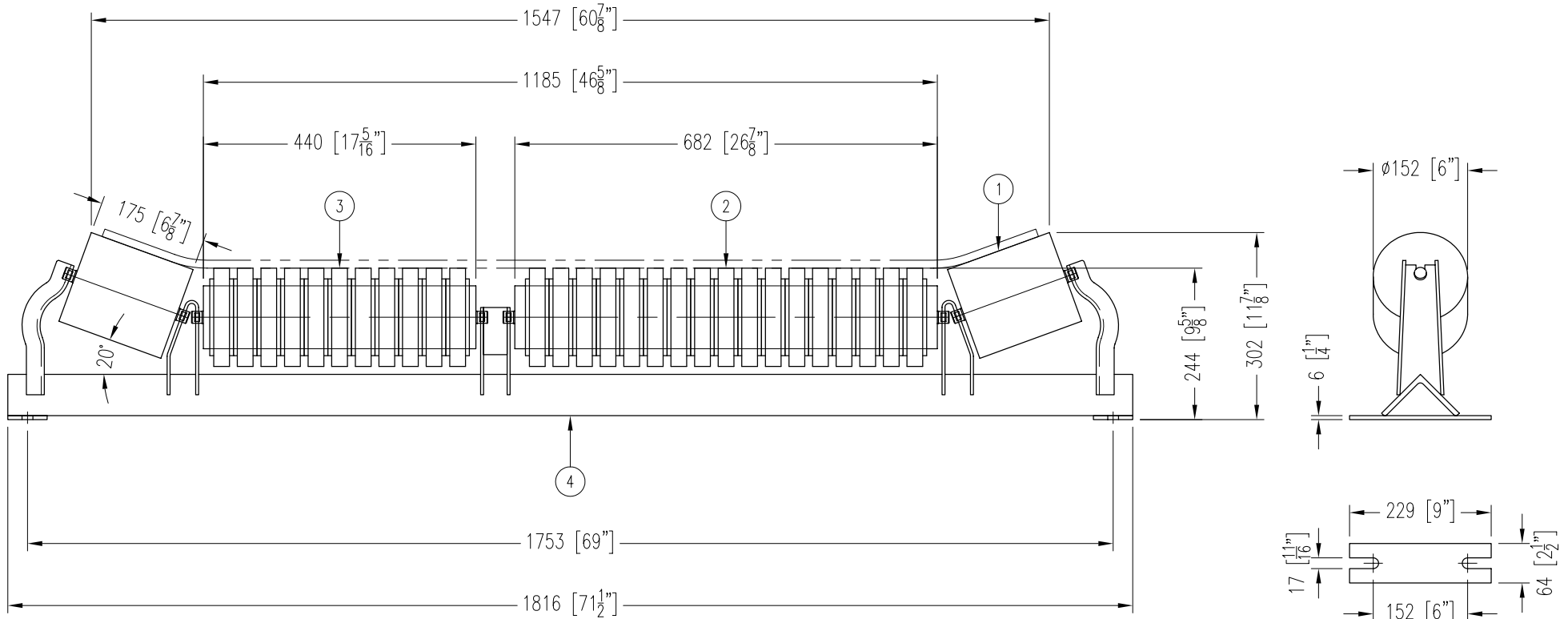


ITEM	DESCRIPTION	REMARKS	DWG/PART	LENGTH	QTY	WEIGHT
1	TROUGHING ROLL		BBTR620200175A5		2	24
2	IMPACT ROLL		BBIR620250682A5		1	37
3	IMPACT ROLL		BBIR620250440A5		1	26
4	20° PICKING TABLE TROUGHING IDLER FRAME		BBFR3042060		1	50
	TOTAL WEIGHT / LBS					137



CONTINENTAL CONVEYOR  
& MACHINE WORKS LTD.  
CONVOYEUR CONTINENTAL  
& USINAGE LTEE.

NAPANEE, ONTARIO, CANADA  
THETFORD MINES, QUEBEC, CANADA

## 20° IMPACT PICKING TABLE IDLER

60" BELT WIDTH      6" Ø ROLLS      CEMA C6 DUTY

PART NO.

BB-33420-6-60

DRAWING NO.

REVISION

3

DATE

04 AUG 2006

JOB NO.

P.O. NO.