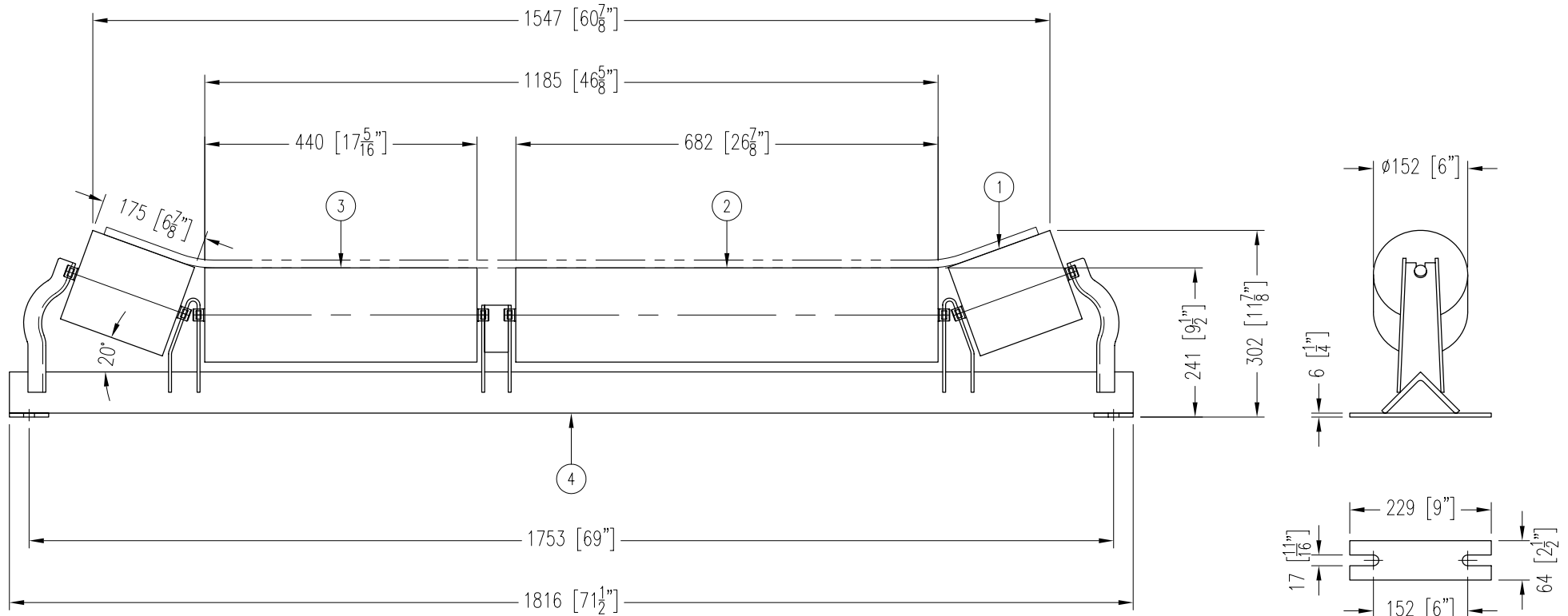


ITEM	DESCRIPTION	REMARKS	DWG/PART	LENGTH	QTY	WEIGHT
1	TROUGHING ROLL		BBTR620200175A5		2	24
2	RETURN ROLL		BBRR620250682A5		1	35
3	TROUGHING ROLL		BBTR620250440A5		1	24
4	20° PICKING TABLE TROUGHING IDLER FRAME		BBFR3042060		1	50
	TOTAL WEIGHT / LBS					133



CONTINENTAL CONVEYOR
& MACHINE WORKS LTD.
CONVOYEUR CONTINENTAL
& USINAGE LTEE.

NAPANEE, ONTARIO, CANADA
THETFORD MINES, QUEBEC, CANADA

20° PICKING TABLE IDLER

60" BELT WIDTH 6" Ø ROLLS CEMA C6 DUTY

PART NO.

BB-30420-6-60

DRAWING NO.

REVISION

3

DATE

04 AUG 2006

JOB NO.

P.O. NO.