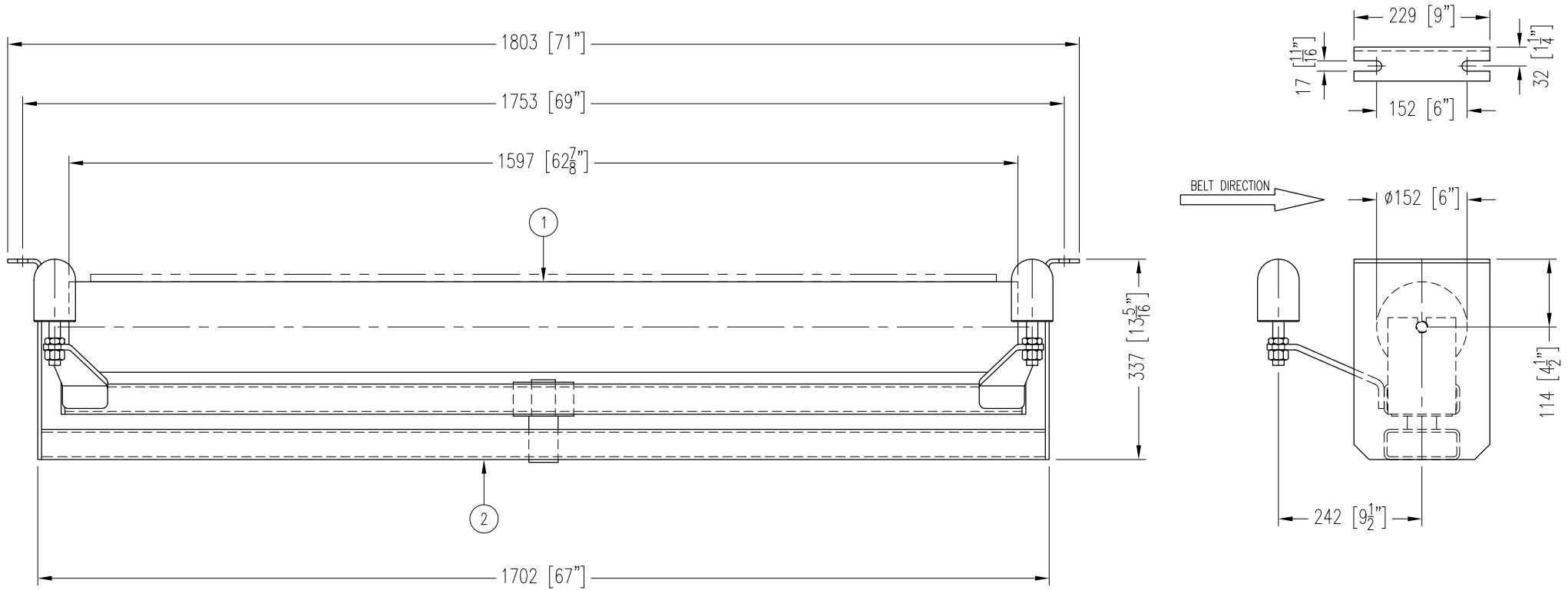


ITEM	DESCRIPTION	REMARKS	DWG/PART	LENGTH	QTY	WEIGHT
1	RETURN ROLL		BBRR620251597A5		1	76
2	FLAT TRAINING RETURN IDLER FRAME	ND-480-461A	BBFR3030060		1	138
TOTAL WEIGHT / LBS						214



CONTINENTAL CONVEYOR  
& MACHINE WORKS LTD.  
CONVOYEUR CONTINENTAL  
& USINAGE LTEE.

NAPANEE, ONTARIO, CANADA  
THETFORD MINES, QUEBEC, CANADA

## FLAT TRAINING RETURN IDLER

60" BELT WIDTH      6" Ø ROLL      20/25mm SHAFT      CEMA C6 DUTY

PART NO.

BB-30300-6-60

DRAWING NO.

REVISION

3

DATE

09 MAR 2009

JOB NO.

P.O. NO.