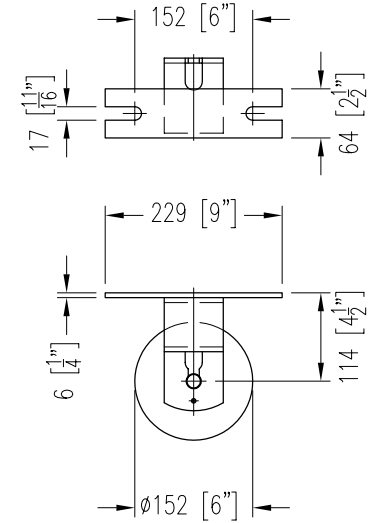
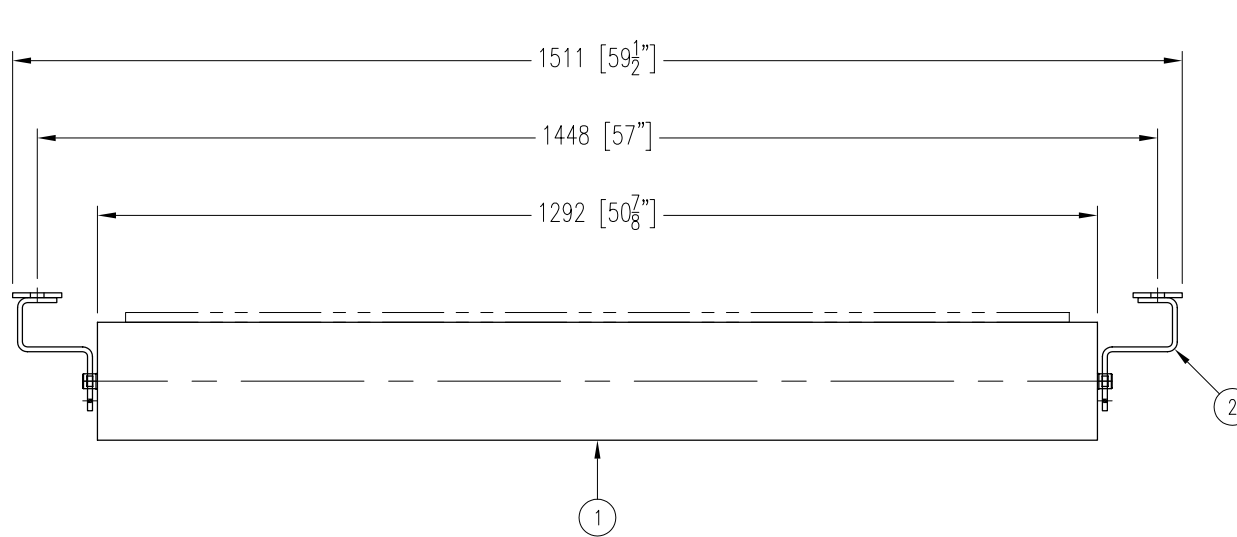


ITEM	DESCRIPTION	REMARKS	DWG/PART	LENGTH	QTY	WEIGHT
1	RETURN ROLL		BBRR520251292A5		1	62
2	RETURN IDLER END BRACKET	NB-480-176A	BBRBRC345		2	7
TOTAL WEIGHT / LBS						69



CONTINENTAL CONVEYOR  
& MACHINE WORKS LTD.  
CONVOYEUR CONTINENTAL  
& USINAGE LTEE.

NAPANEE, ONTARIO, CANADA  
THETFORD MINES, QUEBEC, CANADA

### FLAT RETURN IDLER

48" BELT WIDTH

6" Ø ROLL

20/25mm SHAFT

CEMA C6 DUTY

PART NO.

BB-30100-6-48

DRAWING NO.

REVISION

3

DATE

04 AUG 2006

JOB NO.

P.O. NO.