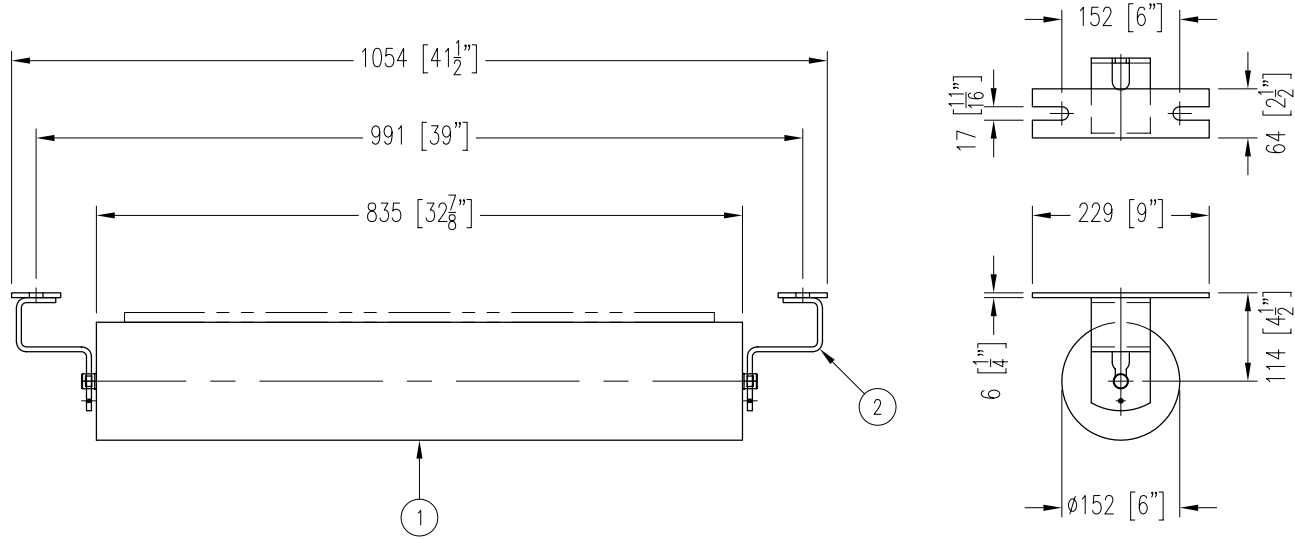


1	RETURN ROLL	BBRR620250835A5	1	42
2	RETURN IDLER END BRACKET	NB-480-176A BBRBRC345	2	7
TOTAL WEIGHT / LBS				49



CONTINENTAL CONVEYOR
& MACHINE WORKS LTD.
CONVOYEUR CONTINENTAL
& USINAGE LTEE.

NAPANEE, ONTARIO, CANADA
THETFORD MINES, QUEBEC, CANADA

FLAT RETURN IDLER

30" BELT WIDTH

6" ϕ ROLL

20/25mm SHAFT

CEMA C6 DUTY

PART NO.

BB-30100-6-30

DRAWING NO.

REVISION

3

DATE

04 AUG 2006

JOB NO.

P.O. NO.