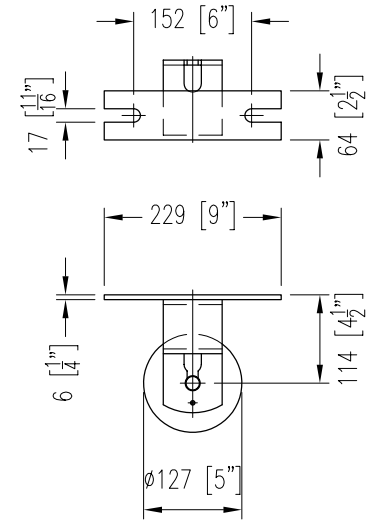
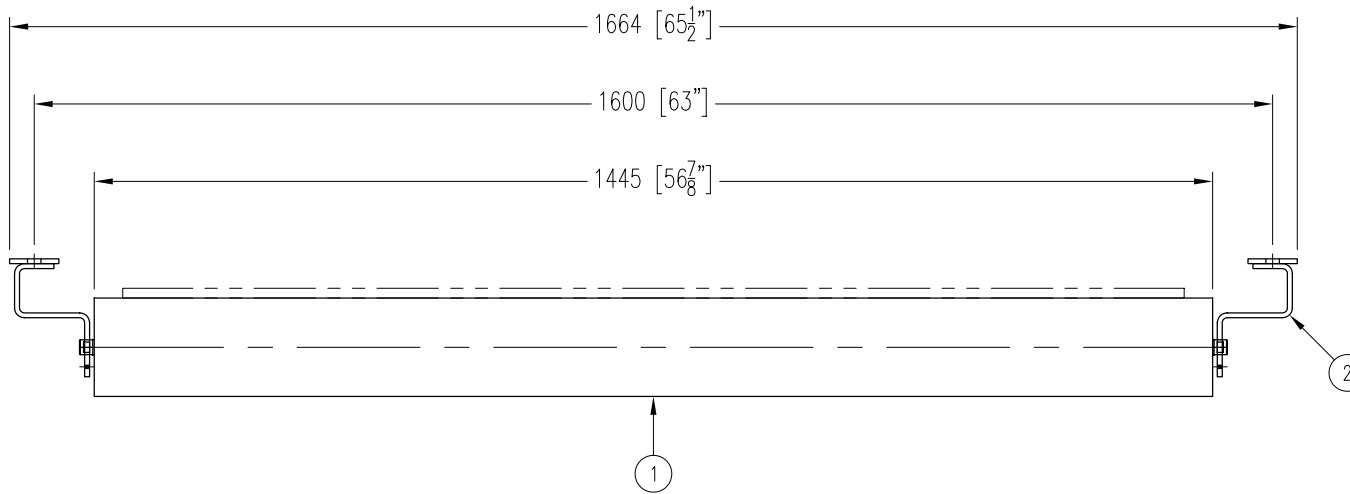


ITEM	DESCRIPTION	REMARKS	DWG/PART	LENGTH	QTY	WEIGHT
1	RETURN ROLL		BBRR520251445A4		1	49
2	RETURN IDLER END BRACKET	NB-480-176A	BBRBRC345		2	7
	TOTAL WEIGHT / LBS					56



CONTINENTAL CONVEYOR
& MACHINE WORKS LTD.
CONVOYEUR CONTINENTAL
& USINAGE LTEE.

NAPANEE, ONTARIO, CANADA
THETFORD MINES, QUEBEC, CANADA

FLAT RETURN IDLER

54" BELT WIDTH

5" ϕ ROLL

20/25mm SHAFT

CEMA C5 DUTY

PART NO.

BB-30100-5-54

DRAWING NO.

REVISION

3

DATE

04 AUG 2006

JOB NO.

P.O. NO.