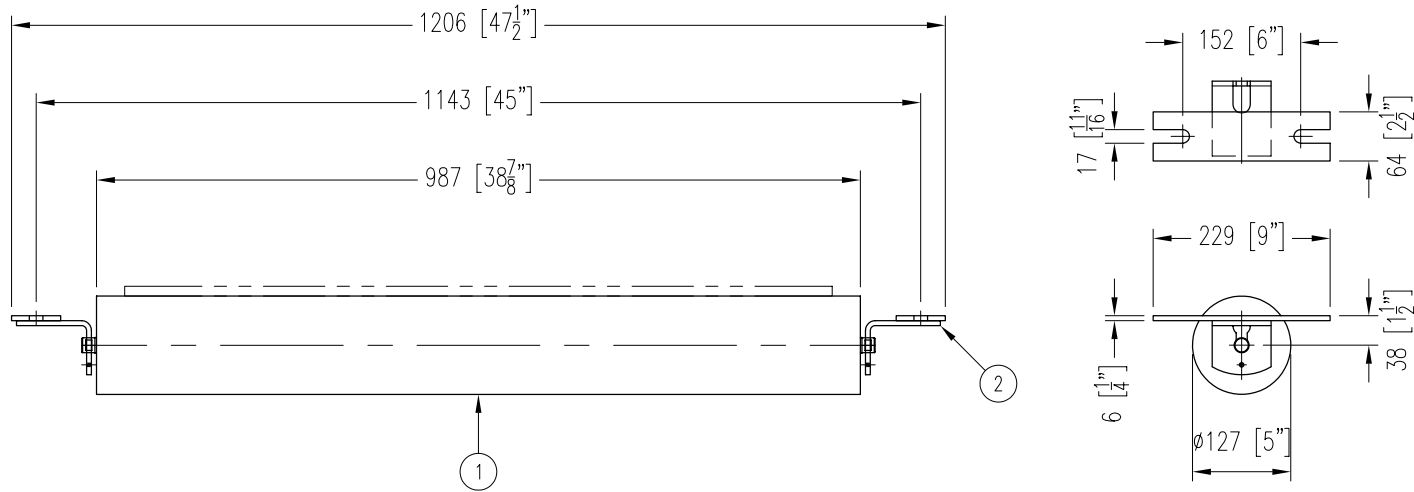


ITEM	DESCRIPTION	REMARKS	DWG/PART	LENGTH	QTY	WEIGHT
1	RETURN ROLL		BBRR520250987A4		1	35
2	RETURN IDLER END BRACKET	NB-480-173A	BBRBRC315		2	5
TOTAL WEIGHT / LBS						40



CONTINENTAL CONVEYOR
& MACHINE WORKS LTD.
CONVOYEUR CONTINENTAL
& USINAGE LTEE.

NAPANEE, ONTARIO, CANADA
THETFORD MINES, QUEBEC, CANADA

FLAT RETURN IDLER

36" BELT WIDTH 5" ϕ ROLL 20/25mm SHAFT CEMA C5 DUTY

PART NO.

BB-30100-5-36-15

DRAWING NO.

REVISION

0

DATE

04 AUG 2006

JOB NO.

P.O. NO.