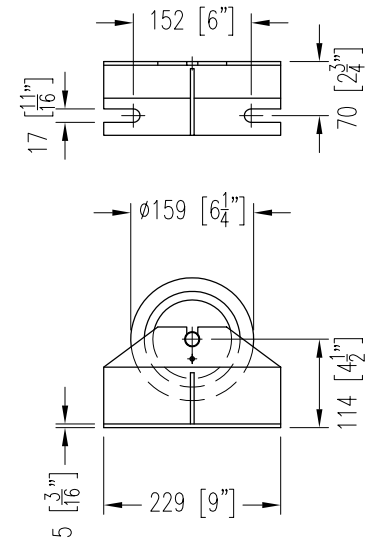
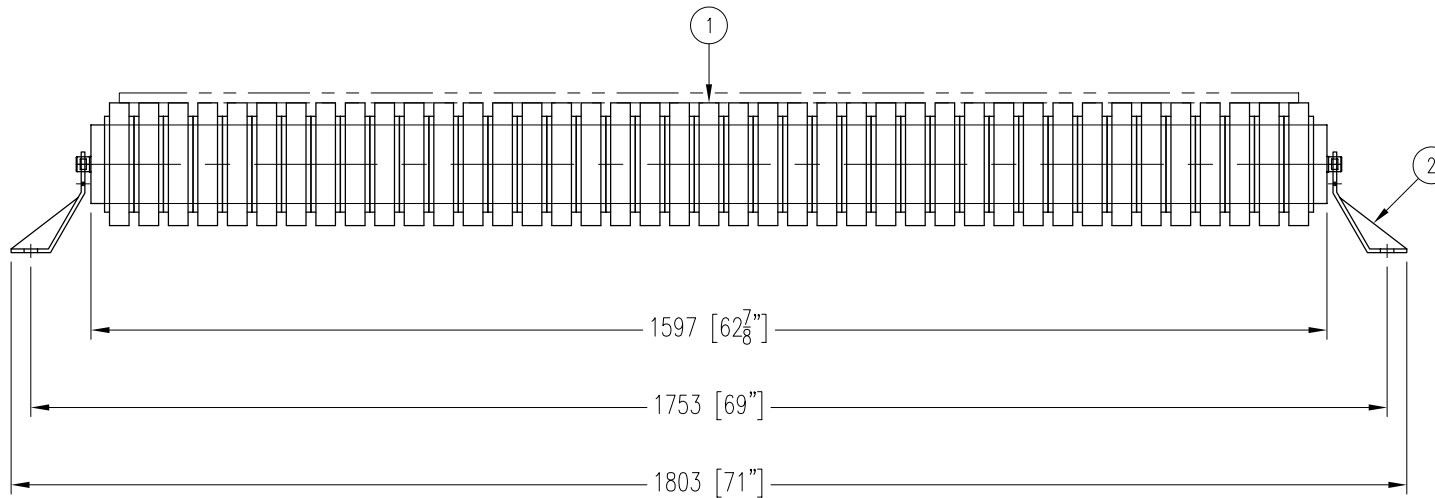


ITEM	DESCRIPTION	REMARKS	DWG/PART	LENGTH	QTY	WEIGHT
1	IMPACT ROLL		BBIR620251597A5		1	82
2	FLAT CARRYING IDLER END BRACKET	NB-480-147A	BBFCST345		2	8
TOTAL WEIGHT / LBS						90



CONTINENTAL CONVEYOR  
& MACHINE WORKS LTD.  
CONVOYEUR CONTINENTAL  
& USINAGE LTEE.

NAPANEE, ONTARIO, CANADA  
THETFORD MINES, QUEBEC, CANADA

### IMPACT FLAT CARRYING IDLER

60" BELT WIDTH      6-1/4"  $\phi$  ROLL      20/25mm SHAFT      CEMA C6 DUTY

PART NO.

BB-33000-6-60

DRAWING NO.

REVISION

3

DATE

04 AUG 2006

JOB NO.

P.O. NO.