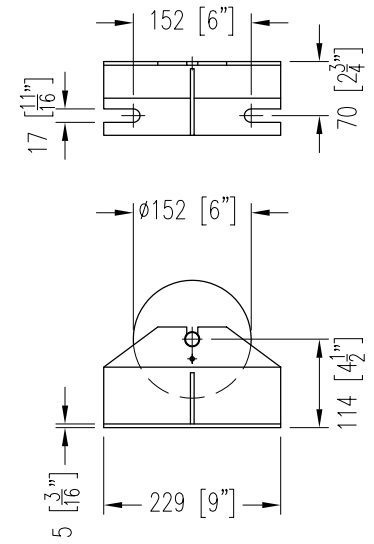
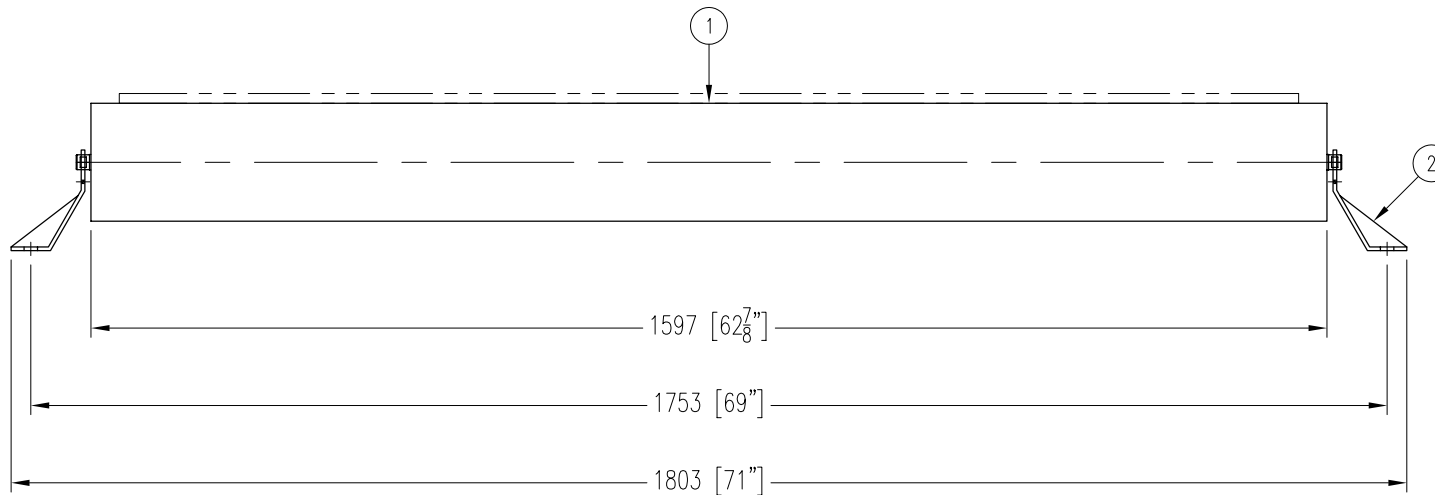


ITEM	DESCRIPTION	REMARKS	DWG/PART	LENGTH	QTY	WEIGHT
1	RETURN ROLL		BBRR620251597A5		1	76
2	FLAT CARRYING IDLER END BRACKET	NB-480-147A	BBFCST345		2	8
	TOTAL WEIGHT / LBS					84



CONTINENTAL CONVEYOR
& MACHINE WORKS LTD.
CONVOYEUR CONTINENTAL
& USINAGE LTEE.

NAPANEE, ONTARIO, CANADA
THETFORD MINES, QUEBEC, CANADA

FLAT CARRYING IDLER

60" BELT WIDTH

6" ϕ ROLL

20/25mm SHAFT

CEMA C6 DUTY

DATE

04 AUG 2006

JOB NO.

PART NO.

BB-30000-6-60

DRAWING NO.

REVISION

3

P.O. NO.