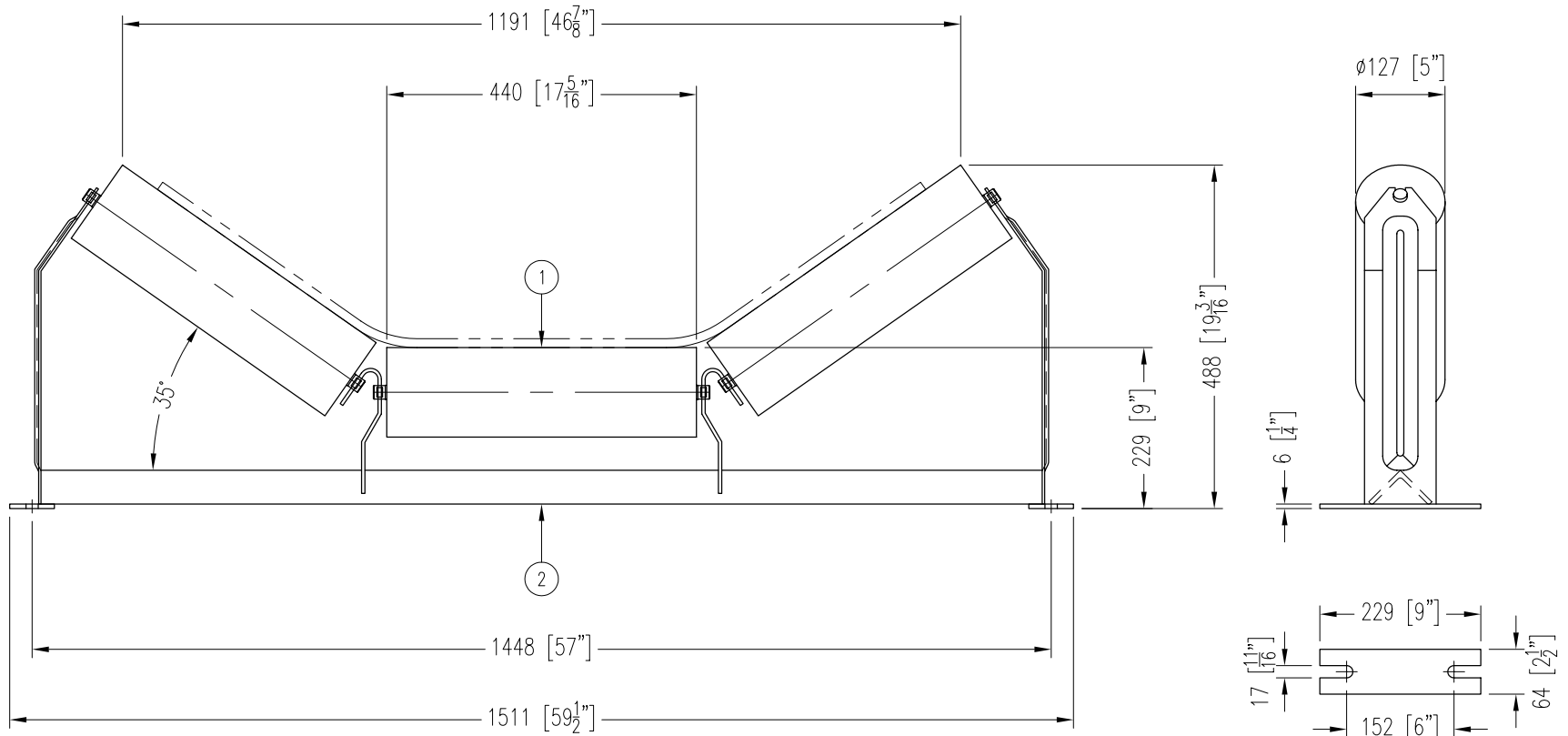


ITEM	DESCRIPTION	REMARKS	DWG/PART	LENGTH	QTY	WEIGHT
1	TROUGHING ROLL		BBTR520200440A4EL		3	54
2	35° TROUGHING IDLER FRAME		BBFR2503548		1	33
TOTAL WEIGHT / LBS						87



CONTINENTAL CONVEYOR
& MACHINE WORKS LTD.
CONVOYEUR CONTINENTAL
& USINAGE LTEE.

NAPANEE, ONTARIO, CANADA
THETFORD MINES, QUEBEC, CANADA

35° TROUGHING IDLER

48" BELT WIDTH 5" Ø ROLLS 20/20mm SHAFT B+ SERIES

PART NO.

BB-25035-5-48

DRAWING NO.

REVISION

0

DATE

23 JAN 2009

JOB NO.

P.O. NO.