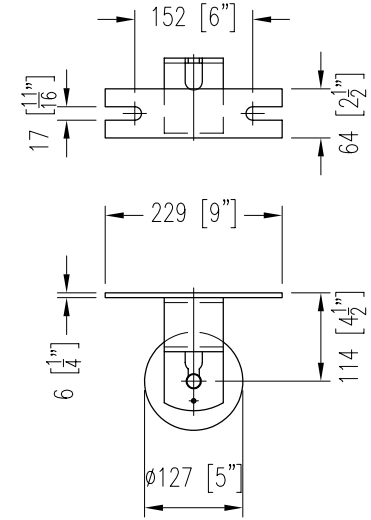
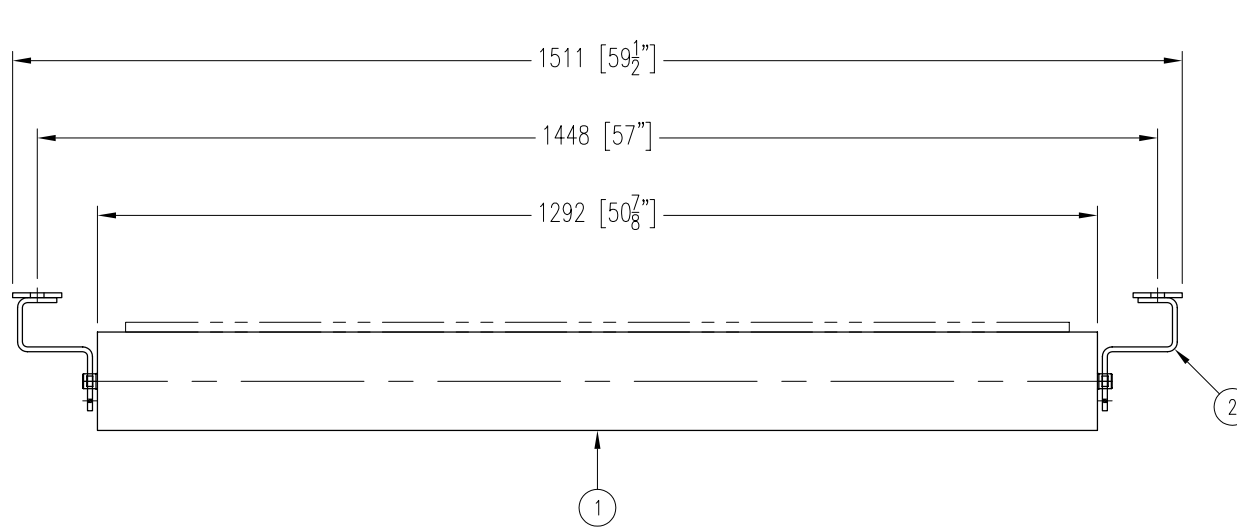


ITEM	DESCRIPTION	REMARKS	DWG/PART	LENGTH	QTY	WEIGHT
1	RETURN ROLL		BBRR520201292A4EL		1	45
2	RETURN IDLER END BRACKET	NB-480-176A	BBRBRC345		2	7
TOTAL WEIGHT / LBS						52



CONTINENTAL CONVEYOR
& MACHINE WORKS LTD.
CONVOYEUR CONTINENTAL
& USINAGE LTEE.

NAPANEE, ONTARIO, CANADA
THETFORD MINES, QUEBEC, CANADA

FLAT RETURN IDLER

48" BELT WIDTH 5" Ø ROLL 20/20mm SHAFT B+ SERIES

PART NO.

BB-25100-5-48

DRAWING NO.

REVISION

0

DATE

23 JAN 2009

JOB NO.

P.O. NO.